

Mixer Master Supreme

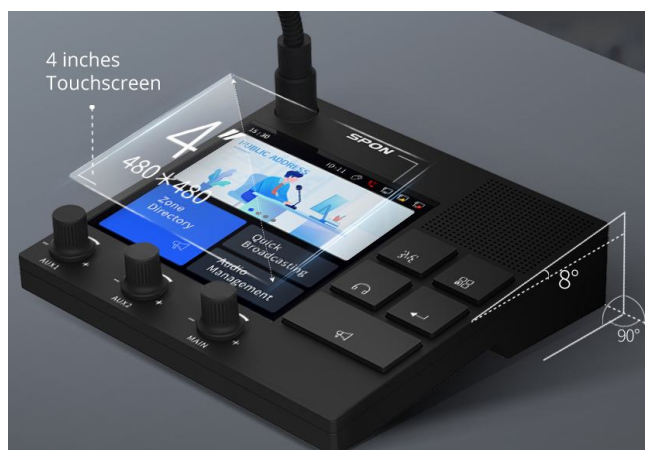
IP Paging Console
More than just a microphone



MAIN FEATURES

Design Features

- Professional paging mic design, high-grade aluminum alloy shell, sturdy and durable.
- High-definition 4" digital true color capacitive touch screen (resolution ratio: 480×480).
- Controllable via "Easy Mic" mobile app for the configurations of paging zones and scheduled bell ringing tasks.
- Support making live paging announcement to all zones, designated zone or designated IP endpoint.



Internal Configuration

- Built-in 3W loudspeaker and unidirectional condenser microphone for live paging announcements, two-way hands-free intercom and audio monitoring.
- Built-in digital audio processor which can significantly improve noise reduction effect and audio quality.
- Built-in ultra-compact mixing console for audio mixing of 5 channels of audio sources (including MIC, AUX1, AUX2, Bluetooth and USB flash drive).
- Built-in web server for the management of maximum 30 IP endpoint devices.



Mixer Master Supreme

IP Paging Console
More than just a microphone



Mixer



Bluetooth



Remote Update



Mobile Connectivity



Touchscreen

SIP

VoIP



MAIN FEATURES

Performance Features

- Support easy configuration and online firmware upgrade via user-friendly web page.
- Support remote firmware upgrade via “Easy Mic” mobile app.
- Compatible with standard SIP protocol, can be registered on VoIP phone system (mainstream brand such as Cisco, Asterisk, Yealink, etc.) independently.
- Equipped with relay input (2-pin terminal block), which can be connected to external detection device (such as manual call point, heat/smoke/infrared detector, etc.) for triggering event-triggered emergency notification task automatically.
- Standard RJ45 Ethernet port, accessible to the system wherever Ethernet is available, supporting cross-segment and cross-router.



SPECIFICATION

POWER PARAMETERS

Power Supply: DC 12V/2A

Standby Power Consumption: $\leq 3W$

AUDIO PARAMETERS

Audio Codec: G.711 A-Law, G.711 M-Law, G.729, PCM/L16

S/N (Signal-To-Noise) Ratio: $\geq 80dB$

Audio Sampling & Bit Rate: 8kHz~44.1kHz, 16bit, 8kbps~320kbps

Frequency Response: 100Hz~16kHz

NETWORK PARAMETERS

Network I/F: 10BASE-T/100BASE-TX RJ45

Network Protocol: SIP (RFC3261), HTTP, DHCP, TCP/IP, UDP, ARP, ICMP, IGMP

Configuration Method: Local Settings/Web Interface

INTERFACE SPECIFICATIONS

Aux Input 01: 1/8-Inch (3.5mm) TRS Jack

Aux Input 02: 1/8-Inch (3.5mm) TRS Jack

Line Output: 1/8-Inch (3.5mm) TRS Jack

Relay Input: 2-Pin Pluggable Terminal Block (3.5mm Pitch, AWG 28-16)

USB Port: Inserting USB Flash Drive For Playing The Stored Music Files

MECHANICAL & ENVIRONMENTAL PROPERTIES

Mounting Method: Desktop

Installation Environment: Dry Indoor Locations Only

Operating Temperature: 0°C~+45°C (32°F~113°F)

Storage Temperature: -10°C~+55°C (14°F~131°F)

Operating Humidity: $\leq 90\%$ RH Non-Condensing

Casing Material: Aluminum Alloy

Color: Black

Product Dimensions: 144×144×34mm

Product Weight: 0.55KG

Packaging: Carton Box

Quantity Of Each Carton: 1pcs

Packed Dimensions: 370×260×110mm

Packed Weight: 1.1KG

ACCESSORIES

Standard Accessories

- 1×2-Pin Pluggable Terminal Block Connector
- 1×Gooseneck Microphone
- 1×Quick Installation Guide

Optional Accessories

- DC 12V/2A Power Adapter (Type A/C/G Power Plug)

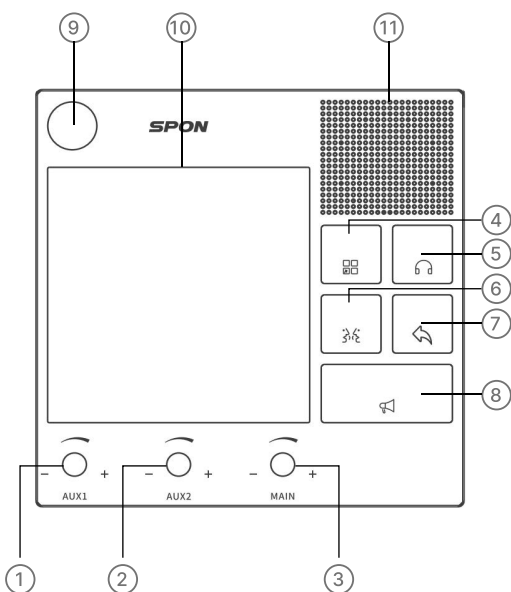
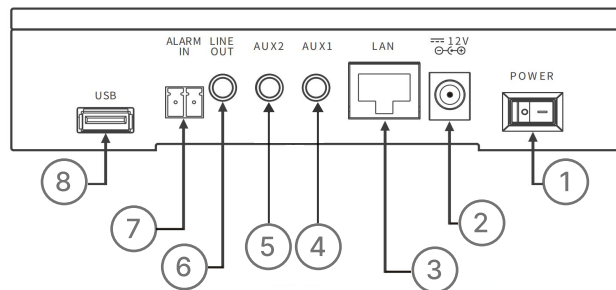
PRODUCT WARRANTY

- 2 Years Limited

PORTS DESCRIPTION

FRONT PANEL LAYOUT

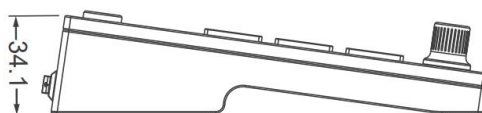
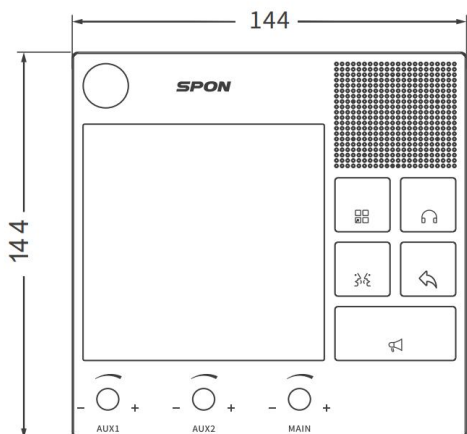
1. Power Switch
2. DC 12V/2A Power Input
3. RJ45 Ethernet Port
4. Aux Input 01 (3.5mm TRS Jack)
5. Aux Input 02 (3.5mm TRS Jack)
6. Line Output (3.5mm TRS Jack)
7. Relay Input (2-Pin Terminal Block)
8. USB Port



FRONT PANEL LAYOUT

1. Volume Adjustment Knob 01: adjust the volume of Aux Input 01.
2. Volume Adjustment Knob 02: adjust the volume of Aux Input 02.
3. Main Volume Adjustment Knob: adjust the volume of all input channels.
4. Shortcut Button: enter the functionality settings interface.
5. Monitoring Button: enter the quick monitoring interface.
6. Intercom Button: enter the quick intercom interface.
7. Back Button
8. PA Button: enter the quick broadcasting interface.
9. Gooseneck Microphone Socket
10. 4" Touch Screen
11. Loudspeaker

DIMENSION DRAWING



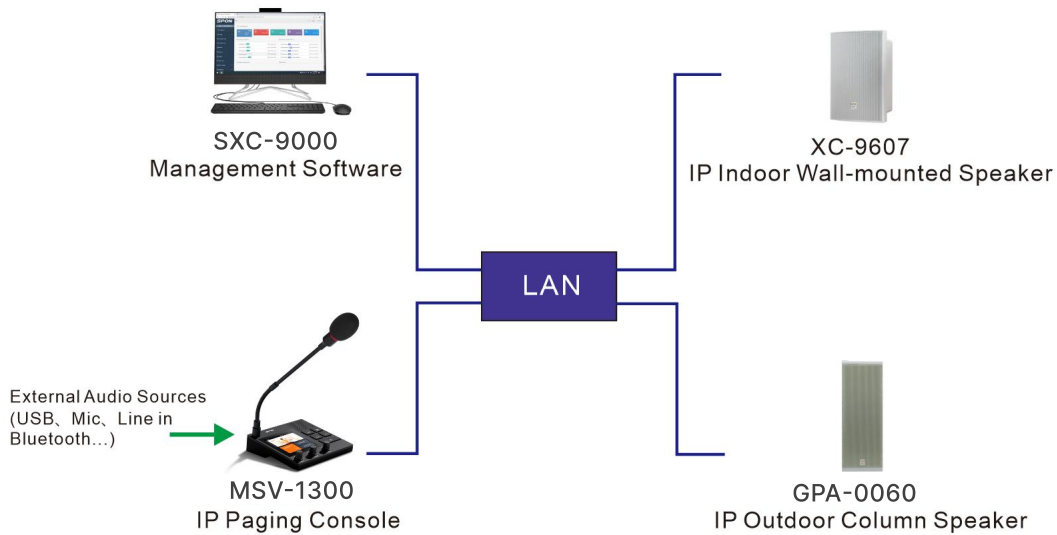
CONNECTION DIAGRAM



APPLICATIONS

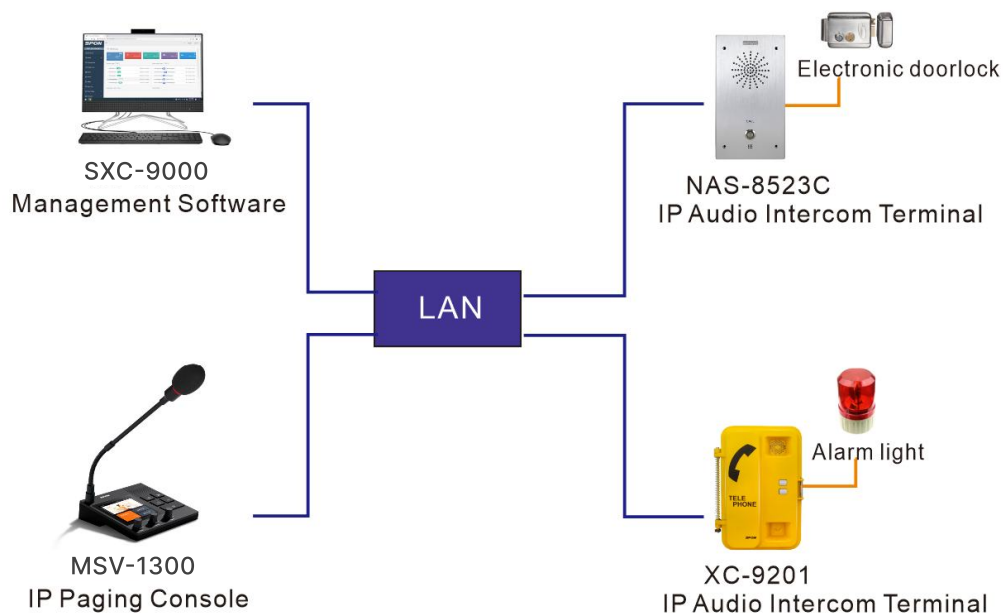
Application 1

The IP Paging Console MSV-1300 supports broadcasting function ,built-in ultra-compact mixing console could help realize audio mixing output of 5 channels of external audio sources (including MIC, AUX1, AUX2, Bluetooth and USB flash drive) .



Application 2

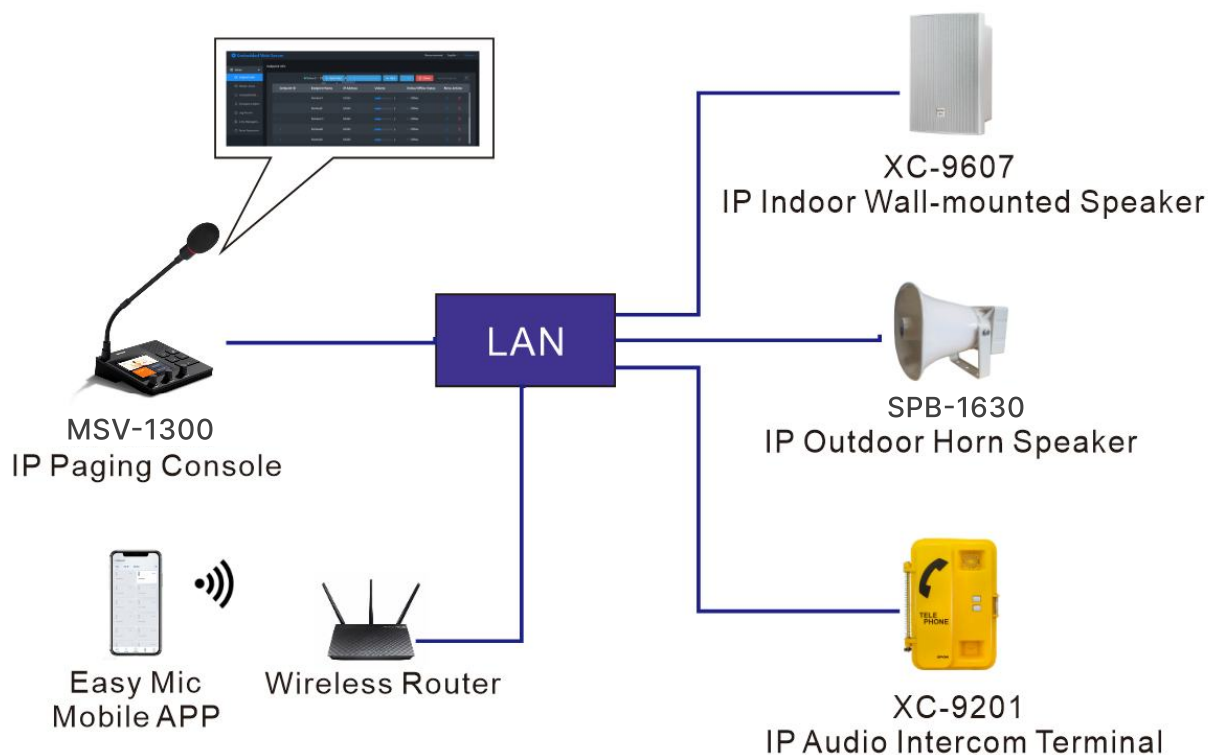
The IP Paging Console MSV-1300 supports dial call , List call , Quick call ; During intercom, you can perform operations such as three-party call, remote door unlock or trigger alarm light flashing.



APPLICATIONS

Application 3

The IP Paging Console MSV-1300 built-in web server can manage up to 30 IP endpoint devices, meaning you will no longer need to install an extra management software for small-scale projects. Also you can also use a specifically designed mobile app (Easy Mic App) to control the paging console, you can use this app to synchronize endpoint/zone information with the paging console's built-in server, add/delete/rename paging zones, make pre-recorded voice announcements, play real-time background music, set up/edit/delete scheduled bell ringing tasks, make announcements via TTS (Text-To-Speech) ,.etc



CASES

